

SOFTWARE

LASER PHOTO PLOTTERS

DIRECT IMAGERS

Ledia

Most cost-effective direct imaging solution on the market



- High productivity on standard resist
- Highest productivity for solder mask
- Low operational cost
- Multi wavelength for superb image quality
- Integration into any CAM environment
- Compact external automation
- Field proven, 170+ installations in daily production

MARKETS

- ✓ Rigid PCB Mfr
- ✓ Flex PCB Mfr
- ✓ Flex-Rigid PCB Mfr
- ✓ HDI PCB Mfr
- ✓ PCB Masslam Mfr
- ✓ PCB Equipment Mfr
- ✓ PCB Traders
- ✓ PCB Designers
- ✓ PCB Test Centers
- ✓ IC Packaging
- ✓ Chemical Milling
- ✓ High Resolution Graphic Arts
- ✓ Flat Panel Display

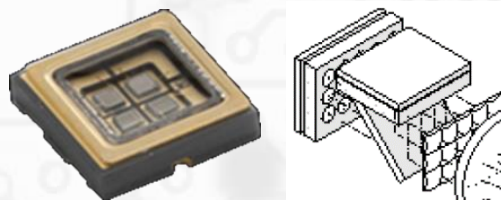
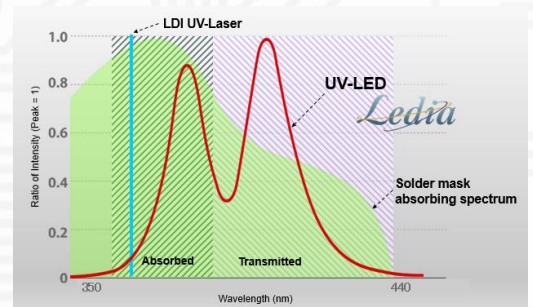
PRODUCT FAMILIES

- ✓ CAM
- ✓ PreCAM and Engineering
- ✓ Electrical Test
- ✓ Equipment Front Ends
- ✓ Format Converters & RIP's
- ✓ OEM Software

- ✓ Laser Photo Plotters
- ✓ Direct Imagers

Highest productivity for solder mask

UV-LED technology in combination with **multi wavelength** enables high throughput with the highest quality for your solder mask applications. The different wavelengths have peaks in both the absorbed and the transmitted wavelength areas of the spectrum of the solder mask inks. Due to this the polymerization happens at the top as well as the bottom of the solder mask layer, resulting in a fully polymerized layer with optimal adhesion to the substrate.

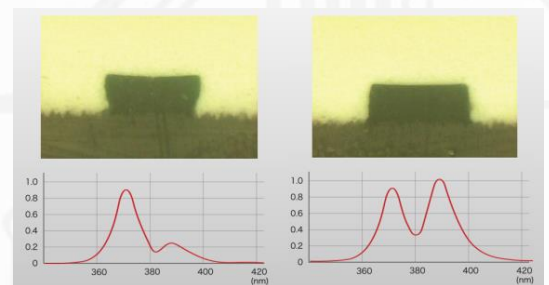


Low operational cost

The adoption of UV-LED technology as a light source results in a considerable lower consumable cost compared to conventional laser direct imaging systems. Also the LED's are only active when physically imaging panels, resulting in an even longer life time.

Multi wavelength for superb quality

The combination of different wavelengths allows all types of resists to be imaged using an optimal output ratio by means of wavelength modulation. Compared to a standard direct imaging system, the Ledia enables manufacturers to pursue even higher imaging quality. The achievement of world-leading product quality is also supported by many cutting-edge technologies, including a high-precision auto-focus function and alignment algorithm that compensate for various types of substrate distortion.





Field proven, 170+ installations

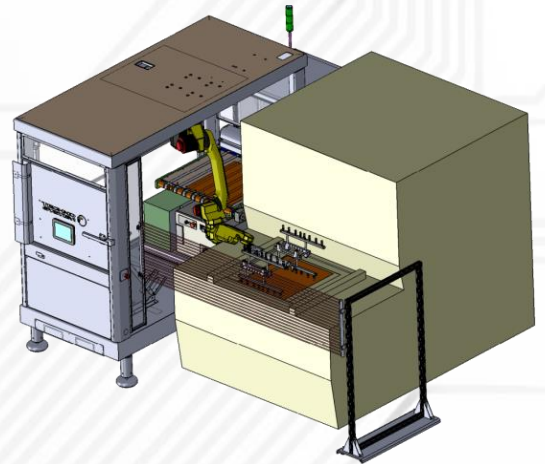
Ledia is the fifth generation of direct imaging systems manufactured by SCREEN Graphic and Precision Solutions Co. Ltd from Japan, who is known for its outstanding and reliable high quality products. There are already more than 170 installations in daily operation, and is as such field proven technology.

Compact external automation

The Ledia can optionally be equipped with an auto-loader/unloader with 6-axis robot capable of handling the most complex set-ups.

Its features include:

- Automatic panel alignment
- Integrated roller cleaner
- Anti-static bar
- Load/unload magazine
- Integrated panel flipper
- Barcode reader for panel identification
- Detector of panel separation sheets



Integration into any environment

Ucamco has a long-standing cooperation with SCREEN Graphic and Precision Solutions Co. Ltd as developer and supplier of its direct imaging front-end system based on **UCAM** and marketed as CU-9000. As such we can guarantee a perfect integration into any CAM environment with optimum support for the various input formats.

We can also provide a fully automated integration with support for all plot stamps and serialization.

Sales and support by Ucamco

Sales is done by our European network of agents. Support is done by our own highly skilled local European service engineers who are known for their dedicated customer support either on-site or by means of remote-diagnostics.

With our call-center and local spare part stock located in Belgium we provide support in your local language and can deliver parts within 24-hours.

Specifications

	Ledia SB	Ledia SD	Ledia FB	Ledia FD
Light source	UV-LED			
Wave length	Multi-wavelength			
Max panel size	540x661mm	610x661mm	540x661mm	610x661mm
Address pitch (resolution)	2.5 µm (10.160 ppi)		1 µm (25.400 ppi)	
Min L/S	30 µm		15 µm	
Positioning accuracy (registration accy)	±10 µm (3σ)		±8 µm (3σ)	
Repeatability	±3 µm			
Estimated productivity (Exp Size : 20x16inch / 510x406mm)	B-series up to 228 sides/hour D-series up to 288 sides/hour			

SOFTWARE

AutoCAM
 FaultStation 4
 FixGenius
 FlashRip
 Format Converters
 Geometric Correction System
 Integr8tor
 Mult Job Panelizer
 OEM Software
 SmartAOI
 SmartPlate
 SmartTest
 Ucam CAD Review
 Ucam CAM++
 Ucam Chemical Milling
 Ucam ET+
 Ucam SmartView
 Ucam uFlex
 UcamX

For more information on any of our products or services please contact us:
 By e-mail: info@ucamco.com

Ucamco NV
 Bijenstraat 19, B9051 Gent, Belgium
 Tel: +32 9 216 99 00 - Fax: +32 9 216 99 12
 E-mail: info@ucamco.com - Web: www.ucamco.com