

Type 1940

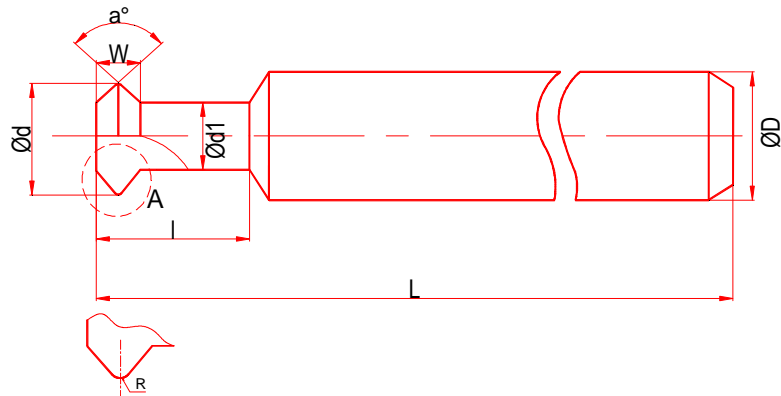
Thread mill with GCT MicroSpeed diamond coating

Applications / Advantages:

- Ideally suited for inner thread in IMS, aluminium and copper
- High dimensional accuracy and process capability due to application-specific design



MicroSpeed diamond coating - Made by GCT in Germany



metric thread	Ø d	Ø d1	l	R
M2.5 x 0.45 1940 2545 038 4	1.97	1.25	5.0	0.025
M3 x 0.5 1940 3050 038 4	2.41	1.50	6.0	0.030
M4 x 0.7 1940 4070 038 4	3.17	2.00	6.0	0.040

Further versions on request.

Standard version:

- shank Ø 3.175mm
- overall length 38.10mm
- tolerances according to GCT router specification
- made of solid carbide

NEW